

OPMI PROergo
Experience New Dimensions.





OPMI *PROergo* 



Brilliance. Comfort. Information.

A Carl Zeiss microscope enables greater precision and efficiency. Key benefits include:

Magnification.

You can only treat what you can see. Optics from Carl Zeiss allow visualization of even the most minute details and finest structures, enabling you to enhance the quality of your diagnosis and treatment.

Ergonomics.

Utilizing the OPMI PROergo during treatment facilitates a comfortable working position. The optimal ergonomic design helps prevent back and neck pain, as well as more serious diseases of the spine.

Communication.

Integrated video cameras make it possible to effectively present the clinical treatment – before, during or after the procedure. High-quality diagnostic images and videos allow you to better demonstrate the recommended course of action to your patients during treatment planning sessions.

Unique. OPMI® PROergo® from Carl Zeiss.

OPMI PROergo combines brilliant optical quality with working and operating comfort to deliver a uniquely designed product. From the cables to the control console, Carl Zeiss has expertly integrated each part for optimal operation and a clean, sleek appearance.

When you select your microscope from Carl Zeiss you also benefit from the years of experience and optical expertise that has earned Zeiss the reputation as a global market leader in dental microscopy.



Photo: Practice of Dr. Wolfgang Bolz, Prof. Dr. Hannes Wachtel,
Prof. Dr. Markus Hürzeler, Dr. Otto Zuhr, Dr. Wolf Richter, Munich, Germany

See more - treat more.

OPMI PROergo from Carl Zeiss opens up entirely new dimensions of vision. It enables you to clearly view even the most difficult-to-see regions. The coaxial illumination puts light exactly where it is needed. Even root canals are perfectly illuminated and imaged. You won't miss a single detail.



Improved comfort - improved work.

OPMI PROergo takes prevention to the next level. A comfortable, upright position prevents the quick onset of fatigue and provides long-term protection against neck and back problems.

OPMI PROergo ensures comfort and a smooth treatment routine with the following three functions:

The motorized Varioskop adjusts to your seated position. Focus the treatment area with the push of a button and without moving the microscope or changing your working position.

The 180° tiltable tube allows you to work in maximum comfort in a variety of positions and on difficult-to-reach areas. Your back will thank you – particularly during longer procedures.

The Free Float Magnetic System offers effortless maneuvering and smooth, precise positioning. The microscope is always exactly where you want it.





Better communication - better patient compliance.

Patients often have difficulty understanding diagnoses, courses of treatment and outcomes. Having the ability to communicate to your patients using clear images and video footage illustrating your clinical concerns is extremely valuable for treatment acceptance and compliance. A picture is worth a thousand words. OPMI PROergo provides visualization and documentation solutions that enable you to ideally illustrate your work – before, during and after the procedure. The video cameras and camera

adapters for OPMI PROergo allow you to document the diagnostic results and treatment stages in outstanding digital quality and convincingly demonstrate to your patients the accuracy of the recommended procedure.

Furthermore, the MediLive® systems offer solutions for archiving and processing digital images and videos, which can be used in many different ways. They can be used to present cases and clinical outcomes to colleagues or document treatment for referrers.

In short: OPMI PROergo creates added value – for your patients, for your office, and for you.



Welcome to your practice.

What you see when looking at OPMI PROergo is a microscope with a sleek, attractive design that perfectly matches the overall image of any practice.

What you do not see is the heart and soul of the instrument – the technology that drives it. The cables, light source, light guide, video camera and control console have all been completely integrated into the microscope. There are no exposed cables or external modules and instruments to interfere with your work.

The integrated product design is as unique as the superior optics, and is part of the countless functions that Carl Zeiss delivers with OPMI PROergo.


Integrated light guide and cable.

No hanging cables to interfere with your work.



Integrated MediLive Primo video camera (optional).

Featuring a freeze function to capture still shots and a rotatable video image function for upright viewing which enables better communication with both patients and staff during treatment.



**Integrated light source
and backup lamp module.**

Whether you choose halogen or xenon illumination there are no extra boxes to affix to the microscope.

**Integrated
control console.**

With a large LCD display and intuitive user menus, it is possible to program individual default settings to meet your practice requirements.

We would like to thank Dr. Koschdon for kindly allowing us to take photographs in his practice. Interior design: Jakob P. Koschdon, Frankfurt

Welcome to a new dimension of vision.

Carl Zeiss is known around the world for the superior quality of its optics. A major feature in the production of Carl Zeiss optics is the apochromatic coating, which corrects for all three wavelengths of the visible spectrum. This ensures that there are no chromatic aberrations and significantly increases image resolution, contrast and depth perception.

Brilliant images, innovative illumination systems and total color fidelity combine to help produce the most impressive optical systems used in microsurgery today.

The uniqueness of OPMI PROergo does not stop with the optics. The innovative functions that enable maximum operating comfort are also one-of-a-kind.

Integrated light source.

You have the choice of halogen or xenon illumination. Xenon has a light temperature characteristic of natural daylight. Both illumination systems present homogenous, high-contrast illumination of the treatment field. Perhaps the most unique feature is the integrated backup lamp module that can be changed with the push of a button. No treatment interruptions.

Control console.

Default settings such as light, zoom or magnification can be personalized and stored for various users, making clinical transitions quick and easy.





**Widefield eyepieces
(12.5x or 10x).**

Large visual field with 3-D, stereoscopic image. Special diopter settings also make them suitable for eyeglass wearers.

**180° tiltable
binocular tube.**

For an ergonomically correct, upright seated position even with extreme microscope positions.

**Ergonomically designed
handgrips with function keys.**

Control the focus and zoom and set the other configurable function buttons to operate brightness, SpeedFokus® or image freeze.

Motorized Varioskop.

Focus the treatment field at the push of a button without having to move the microscope or change your working position.

Motorized zoom.

Continuous magnification. The brightness setting adjusts automatically as you increase or decrease magnification levels.

Welcome to the state of weightlessness.

Regardless of the model you select – floor stand, wall or ceiling mount – the free float magnetic system enables you to smoothly and easily position the microscope exactly where you want it with effortless ease.

Free Float Magnetic System.

With the push of a button on the handgrip you can unlock the magnetic brakes. OPMI PROergo will then float weightlessly in space allowing you to maneuver it into the desired working position – down to the millimeter. The system locks back into place once the button is released. It's that simple!

SpeedFokus.

Manual focusing is a thing of the past. Carl Zeiss believes your hands have more important things to do during treatment. A quick press of a button and the microscope focuses in the blink of an eye. SpeedFokus is an option available at your request.





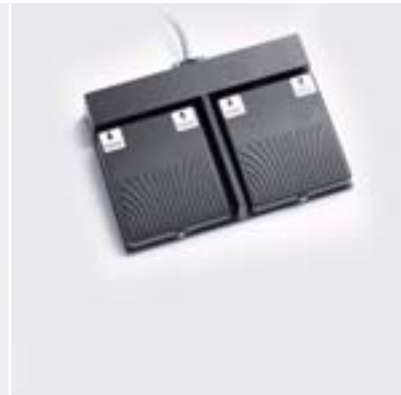
Even more possibilities.

OPMI PROergo is a system of almost unlimited possibilities. It is optimally configured – regardless of the treatment or specific requirements. The available accessories and varying models of OPMI PROergo leave nothing to be desired, and are as easy and intuitive to use as the microscope itself.

Ergonomic design and operating comfort



Angled optics and tube dovetail.
For work on difficult-to-reach areas.



Foot control panel.
Configurable functions allow you to free up your hands.

Digital visualization



MediLive Primo.
1 CCD video camera
(integrated).



MediLive Trio Dent.
3 CCD video camera.

Optics and illumination



Orange filter. Prevents premature curing of composite materials.



Xenon or halogen illumination. Complete with integrated backup lamp module.



Double iris diaphragm. For increased depth of field.



Stereo co-observation tube. Your assistant can follow the procedure live.



Autofocus and SpeedFokus®. Automatic focusing in the blink of an eye.



Free Float Magnetic System. Effortless movement at the push of a button.



Sterilizable caps and handgrip drapes. For asepsis.



VisionGuard® Drape. For sterile work environments.



Adapter for SLR cameras.

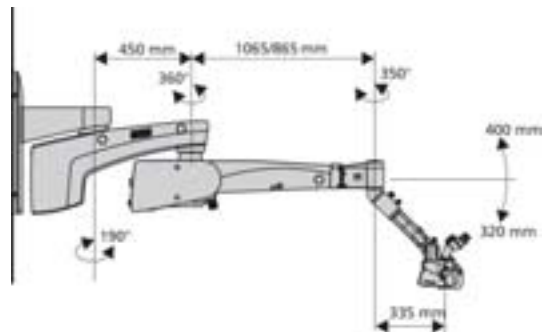
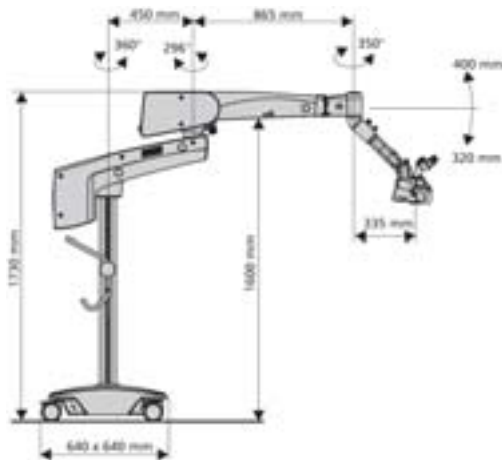
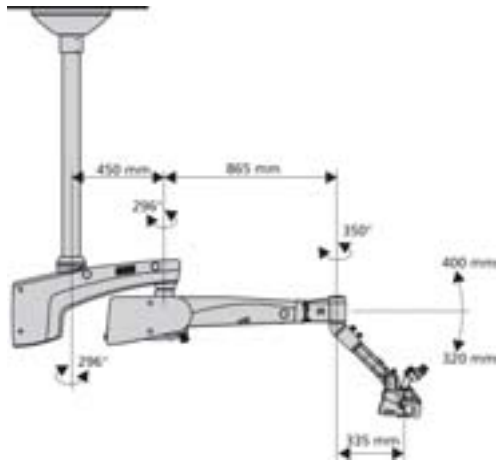


Adapter FlexioStill for digital cameras.



Adapter FlexioMotion for camcorders.

OPMI PROergo by the numbers.



OPMI PROergo microscope system

Magnification system

- Motorized zoom system with apochromatic 1:6 ratio, magnification factor $Y = 0.4x - 2.4x$.

Tube and Eyepieces

- $0^\circ - 180^\circ$ tiltable binocular tube
- 12.5x and 10x wide-field eyepieces

Magnification range

- example with AA 300 mm and 12.5x eyepiece.

Magnification: 2.3x up to 14x

Field-of-view diameter: 75 to 16 mm

Focusing system

- Continuous motorized focusing via Varioskop; focusing range of 200 – 415 mm
- SpeedFokus (optional)

Additional optics

- Angled optics with tube dovetail (optional)
- Double iris diaphragm to increase the depth of field (optional)

Operating concept

- Free Float Magnetic System
- LCD display with user guidance
- Handgrip buttons for zoom and focus and freely programmable function keys
- Foot control panel for zoom and focus (optional)

Suspension system

S7 carrier system for user-friendly operation of the OPMI PROergo; max. capacity 14 kg

S7 floor stand

- Mobile solutions for the practice
- Dimensions: 640 x 640 mm
- Weight: approx. 155 kg

S7 wall mount

- The space-saving alternative for small rooms
- Weight: approx. 52 kg

S7 ceiling mount

- Creates free space around the treatment chair
- Weight: approx. 54 kg

Illumination system

- Integrated coaxial cold-light illumination
- Adjust brightness via the handgrip buttons
- Swing-in illumination diaphragms
- Orange filter for composite materials
- Integrated 12 V 100 W halogen illumination with 2 halogen reflector lamps in the quick-change module
- Integrated 12 V 180 W xenon illumination with daylight characteristic including 2 xenon lamps in the quick-change module (optional)

Camera systems (optional)

Integrated MediLive Primo 1 CCD video camera

- Functioning and ready to use at any time
- Freeze function for still shots
- Continuous image rotation
- Specific user settings
- Video standard: PAL/NTSC
- Ports: Y/C (S-Video), VBS (composite)

External MediLive Trio Dent 3 CCD video camera

- Selectable user-specific setting parameters
- Video standard: PAL/NTSC
- Ports: Y/C (S-Video) and VBS (composite)
 - RGB, Progressive Scan
 - DV, DVI

Accessories to attach external cameras

- Splitter:
 - Angled optics documentation port, optional with tube dovetail
 - Beam splitter 20 with documentation port
 - Beam splitter 50 with documentation port
- Adapters:
 - Video lenses with C-mount interface for the attachment of external video cameras
 - Lenses to attach external digital still cameras

Accessories

Splash protection for the objective lens

- High-quality cover lens with brilliant optical quality, easy to change
- Reflection-free vision through slanted arrangement of the lens
- Vision Guard drapes for sterile work

Electrical data

- Rated voltage 115 V ~ (100...125 V ~ ± 10%)
230 V ~ (220...240 V ~ ± 10%)
- Current consumption 115 V ~ max. 10 A
230 V ~ max. 8 A
- Rated frequency 50...60 Hz
- Fuses Automatic circuit breaker
- Electrical outlets
 - Surgical microscope
 - Remote socket for an external signal of a maximum of 24 V/0.5 A
- Electrical standard
Degree of protection IPX0, DIN EN ISO 13485
DIN EN 60601-1, IEC 601-1
UL 60601-1, CAN/CSA-C22.2 No. 601.1



DS-Nr.: 30-187/I-e Printed in Germany AW-TS-III/2007 Uoo
Subject to change in design and scope of delivery and as a result of ongoing technical development.
OPMI, MedLive, SpeedFokus and VisionGuard are registered trademarks of Carl Zeiss.

Carl Zeiss Surgical GmbH

A Carl Zeiss Meditec Company

73446 Oberkochen

Germany

Fax: +49 (0) 7364/20-4823

Email: surgical@meditec.zeiss.com

www.meditec.zeiss.com/loupes

www.meditec.zeiss.com/contacts